

## Main Features:

- Three Channel /Four Channel compatible architecture
- Totally 8 gold-plated DIP sockets for opamps and buffers rolling
- 2-Setting Gain Jumper for impedance matching
- Powered by either 6 AAA batteries or external power adapter.

## Caution:

To protect your hearing, please follow the operation guide and do not listen at extremely high volume levels. Extended high volume listening can lead to permanent hearing loss.

## Contents:

iBasso P3+, power adapter, extra enclosure and screws, leather pouch, connection cable, and warranty card. Also comes with an opamp rolling kit includes some opamps and buffers.(see below)

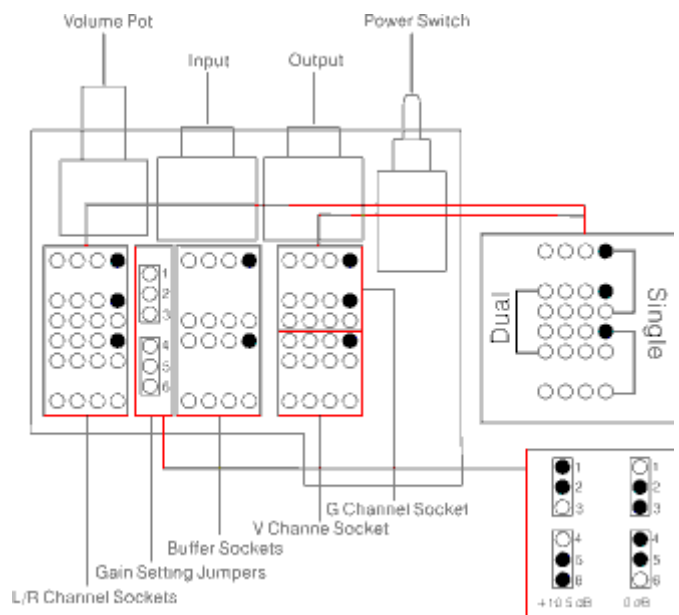
OPAMP/BUF	Qty.	L/R	BUF	G/V	Singe	Dual
AD797	2	•	—	•	•	—
AD827	1	•	—	•	—	•
AD712	1	•	—	•	—	•
AD8066	1	•	—	•	—	•
LM6172	1	•	—	•	—	•
LMH6655	1	•	—	•	—	•
LMH6643	1	•	—	•	—	•
BUF634P	2	—	•	•	•	—
Transistor BUF	2	—	•	•	•	—
Dummy adapter	4	—	•	•	•	—

The AD827, two transistor BUFs, and two dummy adapters are inserted on the amp when shipping.

## Opamp and Buffer Rolling

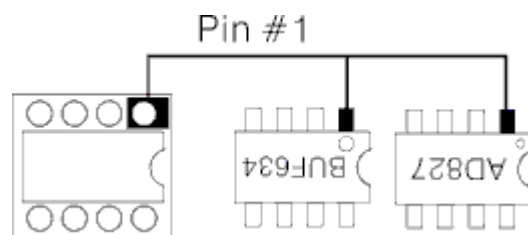
Before you open the enclosure to roll the opamp or buffer, please make sure the P3+ is turned off. The opamp and buffer can be damaged by static, it is better to roll the opamp in a static-free environment. Also, before you place

the opamp to the sockets, check it is a single or dual opamp, and then place it to the right position.



## Direction of Inserting the Opamp and Buffer:

In the follow picture, shows the first pin of the opamps, buffers, or dummy adapters. In the above picture, there is a black hole on each amplifier or buffer sockets, which is where the first pin should go. (Be aware of that, inserting the opamp or buffer in a wrong direction may damage the opamp or buffer, which is not covered by warranty.)



## Setting the Gain:

There are 6 pins, when the pin 1 and 2, 5 and 6 are connected, the gain is +10.5dB  
When the pin 2 and 3, 4 and 5 are connected, the gain is 0dB

## Changing the Battery:

When Changing the Batteries, please make sure the P3+ is turned off. When inserting the batteries, please follow the directions.

## *Warranty:*

iBasso Hi-Definition portable headphone amplifier P3+ (excluding the accessories and opamp rolling kit) to be free from malfunctions and defects in both materials and workmanship for one year from the date of purchase. Buyer should retain the warranty card. The warranty card will be required with any request for warranty repair.

This warranty does not apply when failure is due to, accident alteration, water infiltration, modification, unauthorized service, misuse, abuse, use with incompatible accessories or attachments, failure to follow operations, or claim made after the duration of this warranty.

For further product and warranty information, please go to [www.ibasso.com](http://www.ibasso.com).

## *Specifications:*

Power Source: 6 AAA Batteries or external power supply

Frequency Response: 10Hz~100KHz /-0.4dB

Signal to Noise Ratio: -109dB

Crosstalk: -101dB

Total Harmonic Distortion: 0.0015%

Output power: 250mW+250mW into 32Ω

Gain: 0dB/+10.5dBv

(The above specs are measured when AD797s on L/R and G/V channels, and Transistor BUFs on Buffer sockets)

Battery Life: depends on the opamps and buffers

External Power supply: 9V DC

Recommended Headphone Impedance: 8~300Ω

Case dimension: 3.6L x 2.2W x 0.8H (inch)

92L x 55W x 21H (mm)

Weight: 122g or 4.3oz (without batteries)